



YLI ELECTRONIC

Waterproof Magnetic Lock with Signal

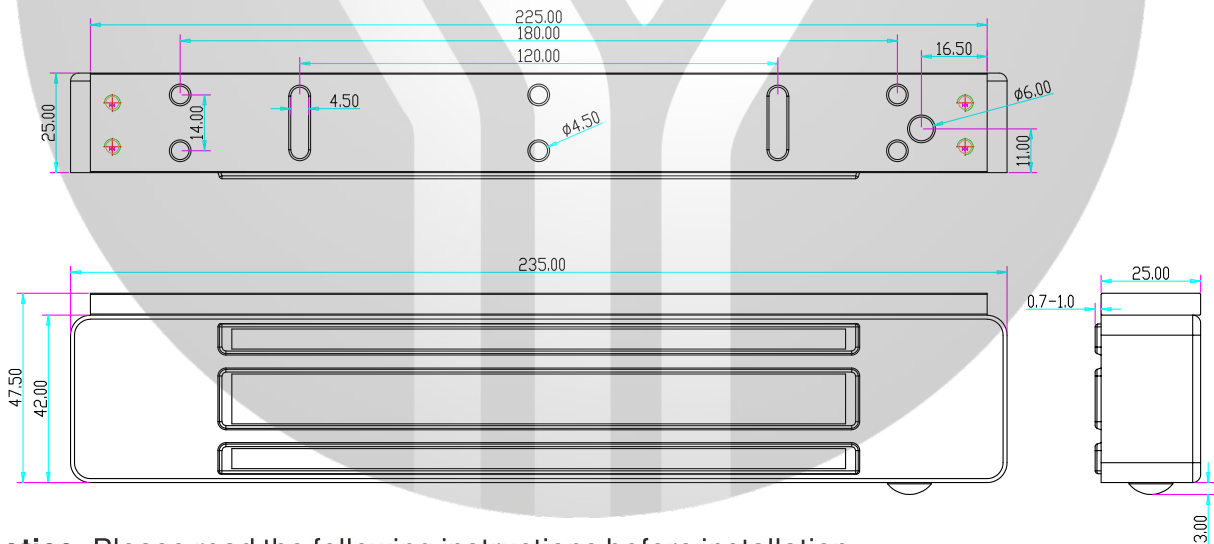


Model: YM-280W(LED)

Specification

Dimension	235Lx47.5Wx25.5H(mm)
Holding force	280kg(600Lbs)
Current	DC12V or DC24V
Voltage	12V/500mA±10% 24V/250mA±10%
Signal output	Lock signal NO/COM
LED	Green light indicates unlocked; Red light indicates locked
Cover finish	SUS 304 Stainless Steel
Suitable for	Wooden door ; Glass door; Metal door; Fireproof door
IP rate	IP-68
Operating temp	-10~+55°C
Weight	2.0kg

Dimension(unit:mm)

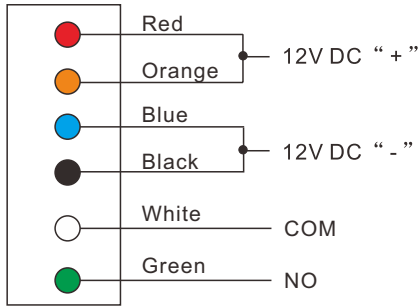


Notice: Please read the following instructions before installation.

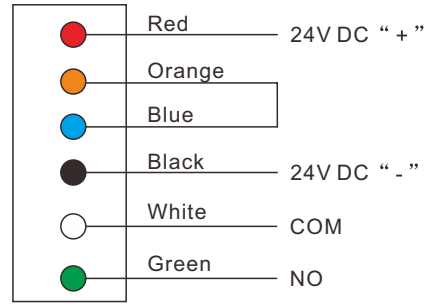
- Please handle the lock carefully. Any damage of the surface or the armature plate will reduce the magnetic force.
- Fix the lock on the door frame and the armature plate on the door leaf. The accessories can provide better conjunction to the lock and the armature plate.
- Please keep the door closed when you drill holes.
- Fasten the screws of the lock.
- The limit value of the reed switch of the door signal detection is 0.5A/30V DC. Don't overload.
- Make sure the armature plate can be slightly shaken when locked, for the rubber washer need some spaces to adjust the position of the armature plate and the lock.
- Please select the correct wiring for DC 12V or DC 24V voltage input.

Circuit Board Diagram

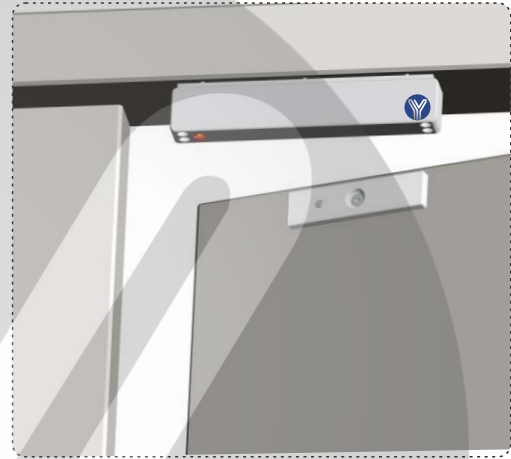
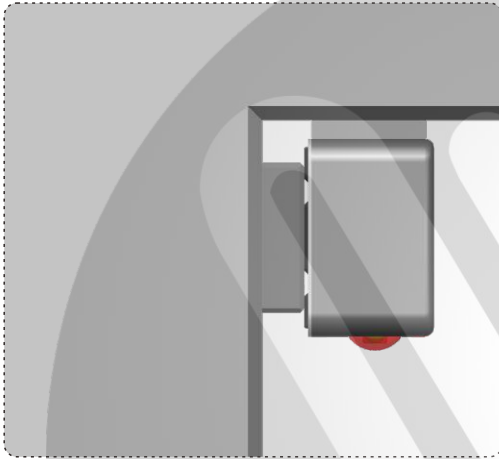
A. 12V DC Input



B. 24V DC Input



Installation Instruction



Wire Connection

